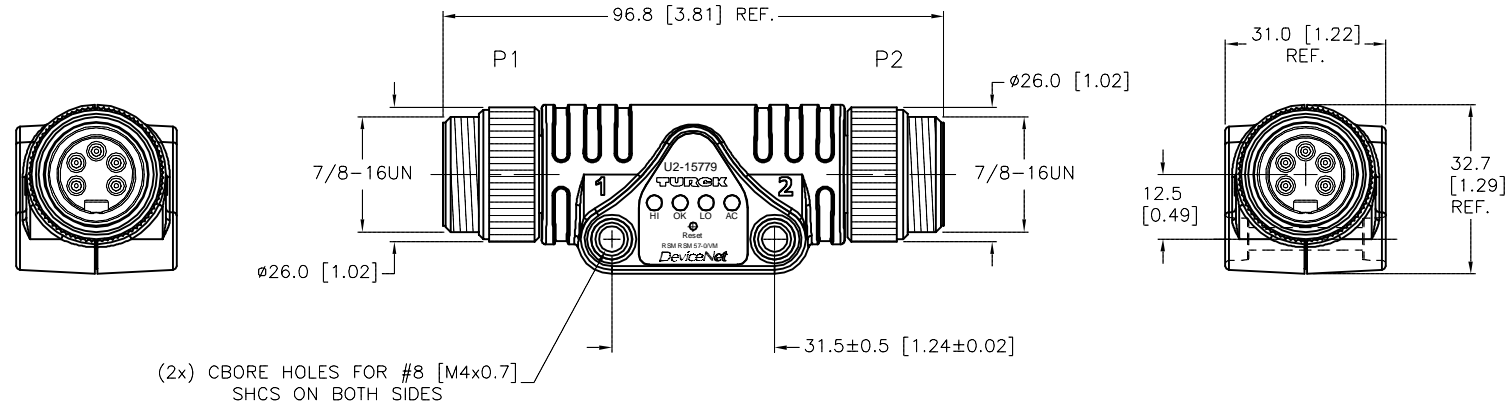
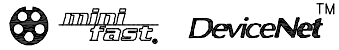


SPECIFICATIONS	
MOLDED BODY MATERIAL/COLOR	NYLON/BLACK
CONTACT CARRIER MATERIAL/COLOR	TPU/BLUE-GRAY
CONTACT MATERIAL/PLATING	BRASS/GOLD
COUPLING NUT MATERIAL/PLATING	BRASS/NICKEL
RATED CURRENT [A]	9.0 A
RATED VOLTAGE [V]	30 V
TEMPERATURE RANGE	-40°C TO +105°C (-40°F TO +221°F)
PROTECTION CLASS	MEETS NEMA 1,3,4,6P AND IEC IP67



ELECTRICAL CHARACTERISTICS:
POWER SUPPLY - 7V-30VDC

LED INDICATORS
 LOW VOLTAGE THRESHOLD - 12.4V (MINIMUM)
 "OK" VOLTAGE THRESHOLD - 12.96V - 24.78V
 HIGH VOLTAGE THRESHOLD - 25.3V (MAXIMUM)
 GLITCH THRESHOLD - 1.26V (1.6MS RISE TIME), 0.67V (1MS RISE TIME)
 RIPPLE THRESHOLD - 1.5V P-P 20-250HZ, 2.6V P-P 10-20H

SOURCE DRAWING - FOR REFERENCE ONLY

RELATED DOCUMENTS 1. 2. 3. 4.	3RD ANGLE PROJECTION 	THIS DRAWING IS CONFIDENTIAL AND THE PROPERTY OF TURCK INC. USE OF THIS DOCUMENT WITHOUT WRITTEN PERMISSION IS PROHIBITED.		TURCK INC <i>High Technology Sensors and Automation Controls</i> 3000 CAMPUS DRIVE MINNEAPOLIS, MN 55441 1-800-544-7769 (763) 553-7300 (763) 553-0708 fax turck.com	
	MATERIAL SEE SPECIFICATIONS	DRFT RDS APVD	DATE 05/07/09 SCALE 1=1.5	DESCRIPTION RSM RSM 57-0/VM	
FINISH SEE SPECIFICATIONS	UNIT OF MEASUREMENT MILLIMETERS	CONTACT TURCK FOR MORE INFORMATION		IDENTIFICATION NO. U2-15779	REV B
DO NOT SCALE THIS DRAWING		FILE: U2-15779		SHEET 1 OF 1	

B	ADD ELECTRICAL CHARACTERISTICS	RDS	03/27/13	41683
REV	DESCRIPTION	BY	DATE	ECO NO.